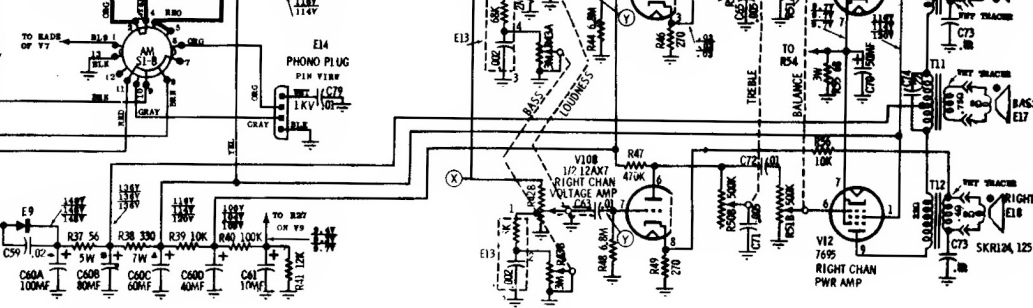
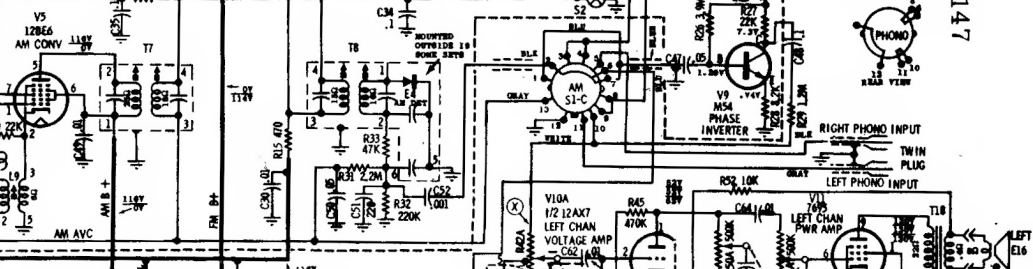
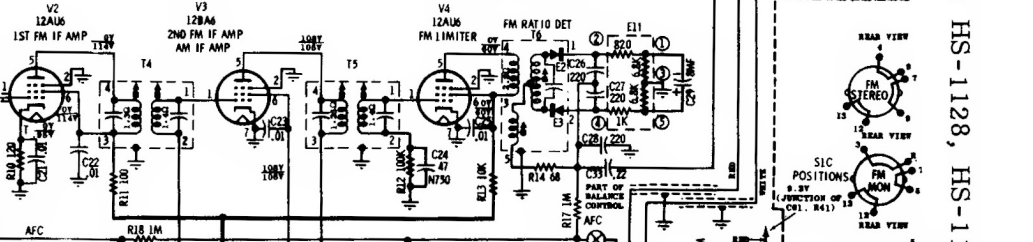
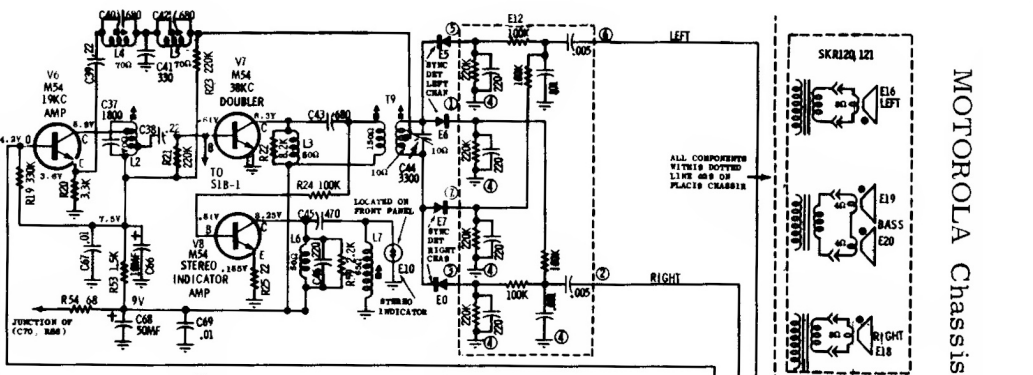
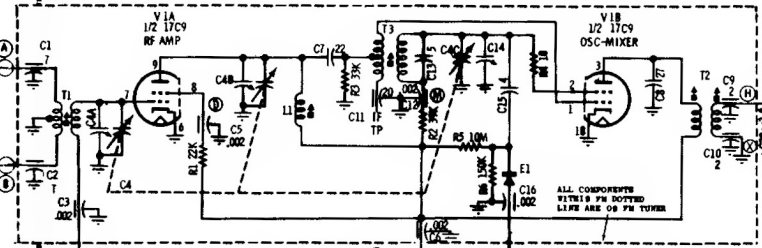
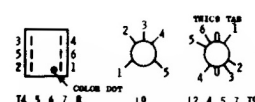
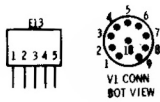
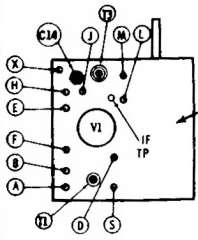


SCHEMATIC DIAGRAM (HS-1128 & 1147)

NOTES:
CAPACITORS—UNLESS OTHERWISE SPECIFIED
DECIMAL VALUES IN MF. ALL OTHERS IN MMF.
VOLTAGES—MEASURED FROM POINT INDICATED TO
CHASSIS WITH A VTVM. +10% NO SIGNAL INPUT.
TUNING RANGE—AM 530KC TO 1620KC (IF—455KC)
FM MC TO 108 MC (IF—10.7 MC)



WHERE 1 VOLTAGE IS SHOWN, S1 IS IN FM POSITION
V TAKEN WITH S1 IN AM POSITION
V TAKEN WITH S1 IN FM POSITION
V TAKEN WITH S1 IN AM POSITION
V TAKEN WITH S1 IN FM POSITION
V TAKEN WITH S1 IN PHONO POSITION

